

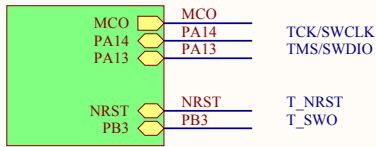
1

2

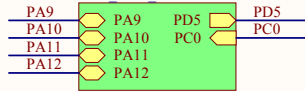
3

4

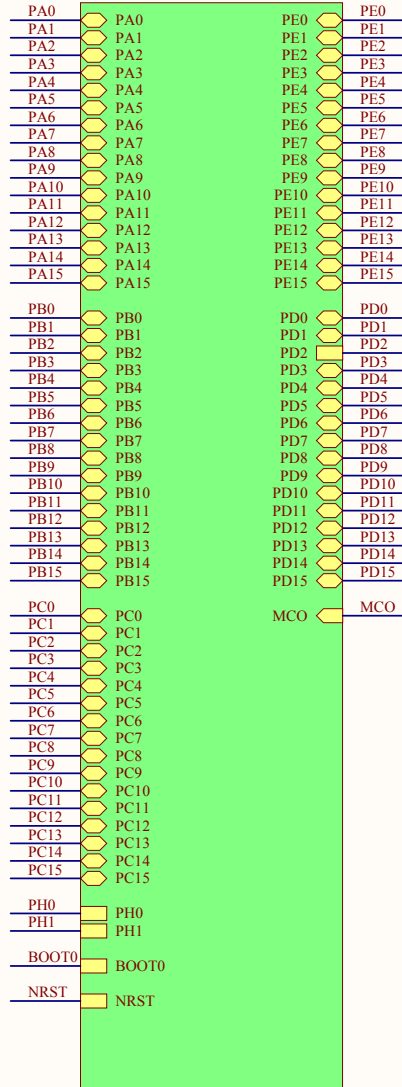
ST\_LINK\_V2.SCHDOC  
U\_ST\_LINK



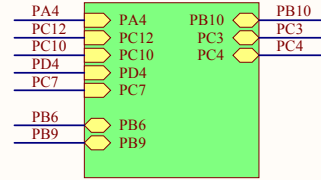
U\_USB\_OTG\_FS  
USB\_OTG\_FS.SchDoc



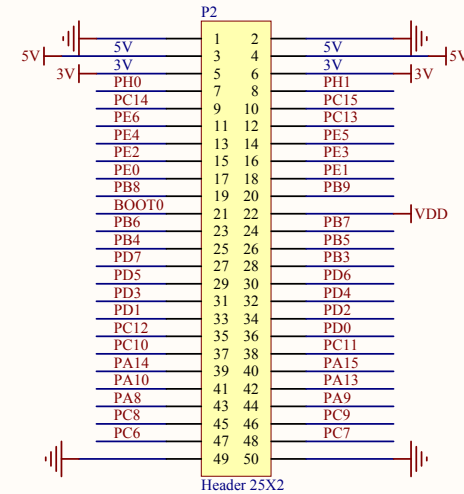
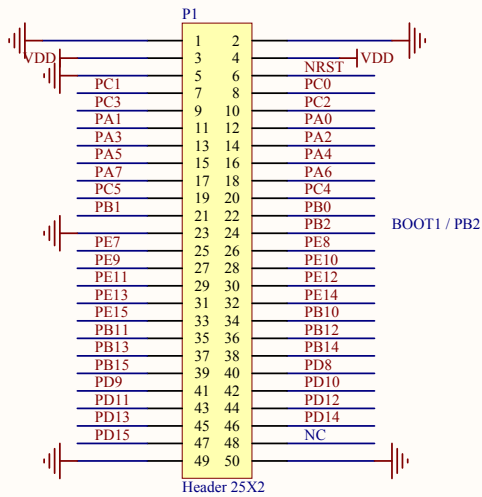
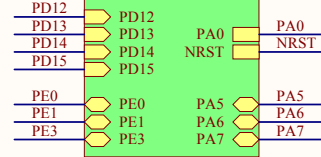
U\_STM32Fx  
STM32Fx.SchDoc



U\_Audio  
Audio.SchDoc



U\_IO Peripherals  
IO Peripherals.SchDoc



Rev B.2 -> R27 Not Fitted, R28 Fitted. PCB label MB997 B-02  
 Rev B.1 -> PCB label MB997 B-01

**STMicroelectronics**

Title: **STM32F4DISCOVERY**

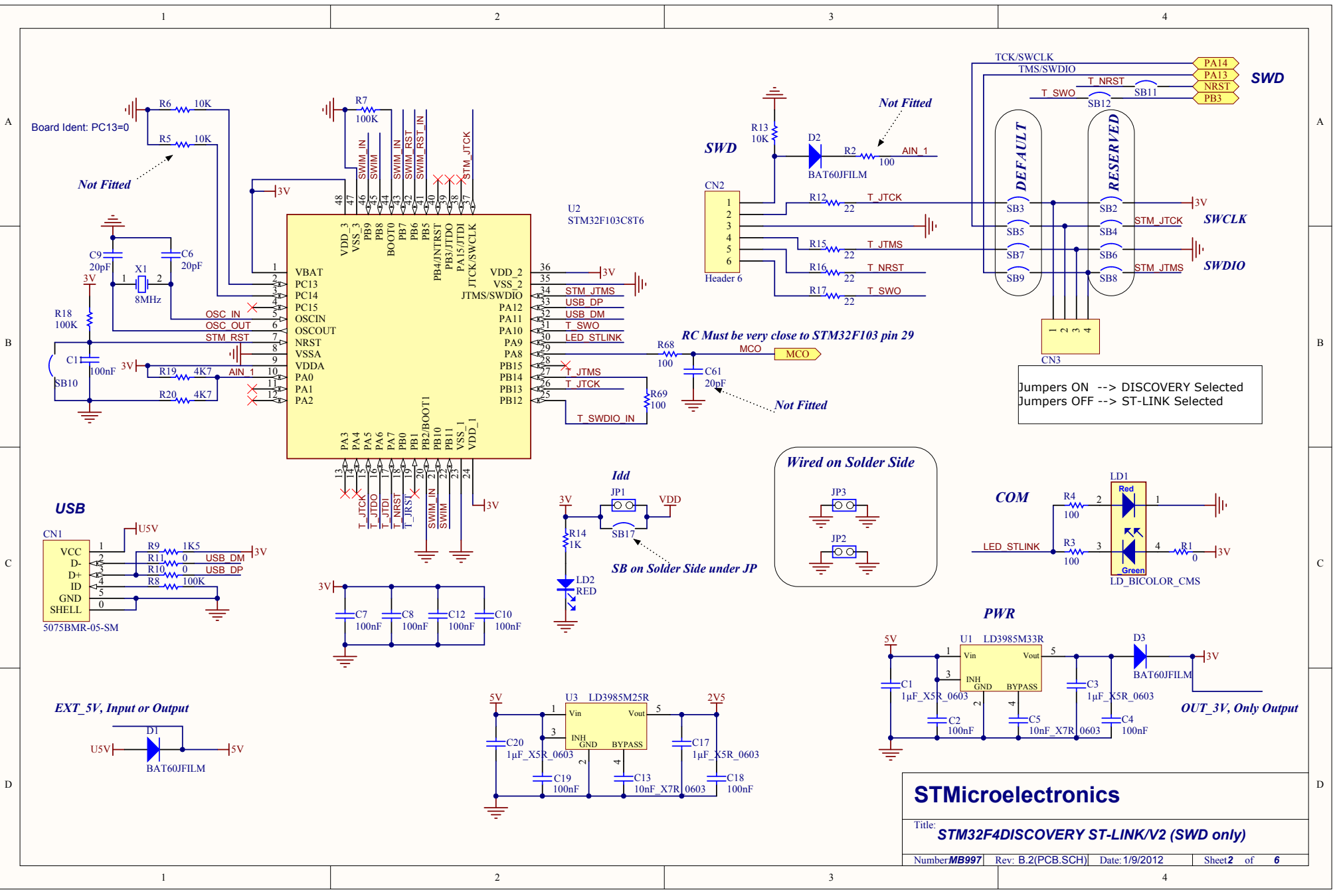
Number **MB997** | Rev: B.2(PCB.SCH) | Date: 1/9/2012 | Sheet **1** of **6**

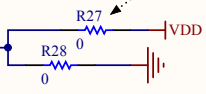
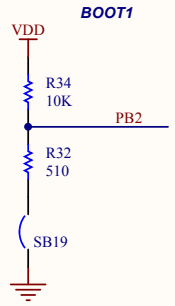
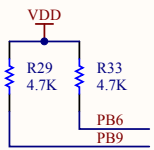
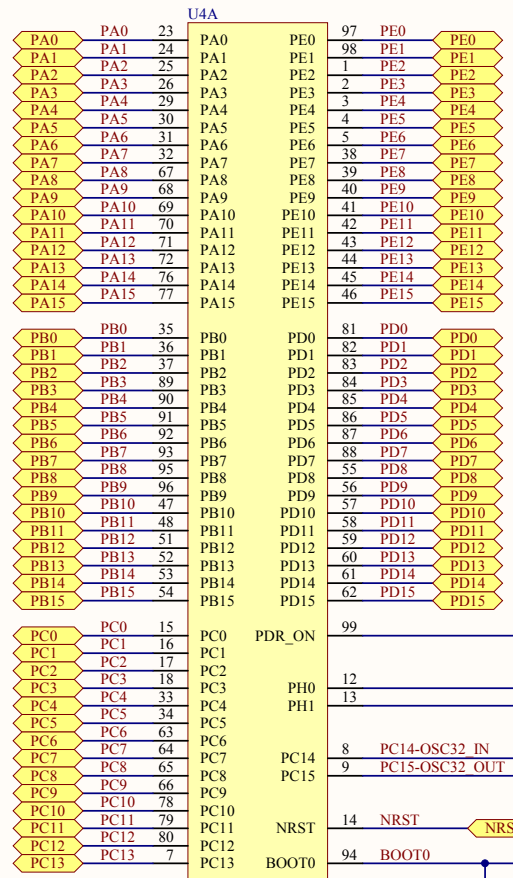
1

2

3

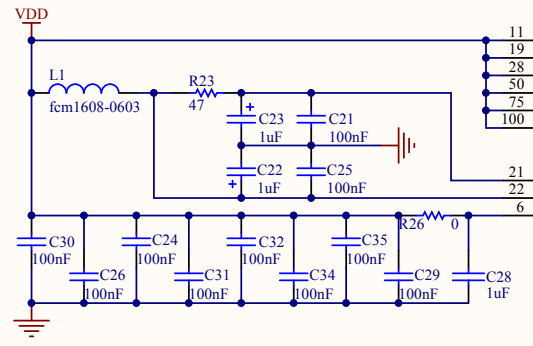
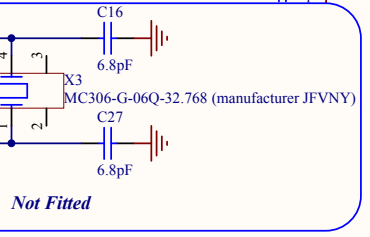
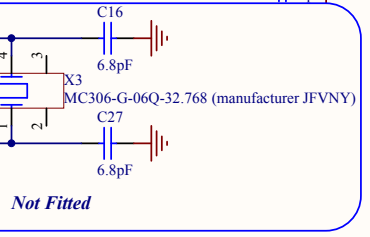
4





*Must be close to the Crystal*

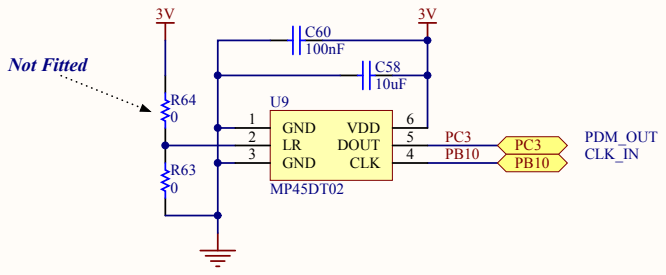
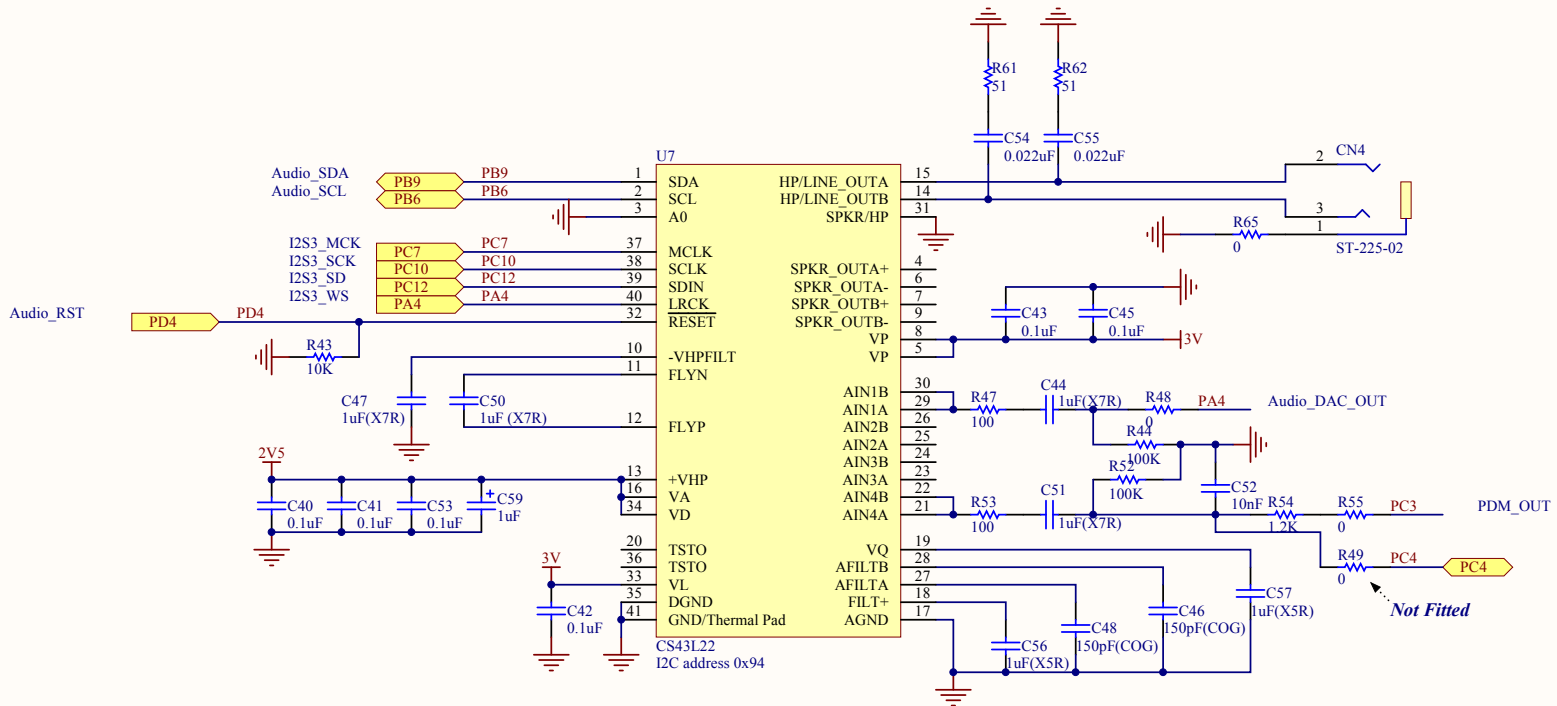
*Not Fitted*



**STMicroelectronics**

Title: **STM32F4DISCOVERY MCU**

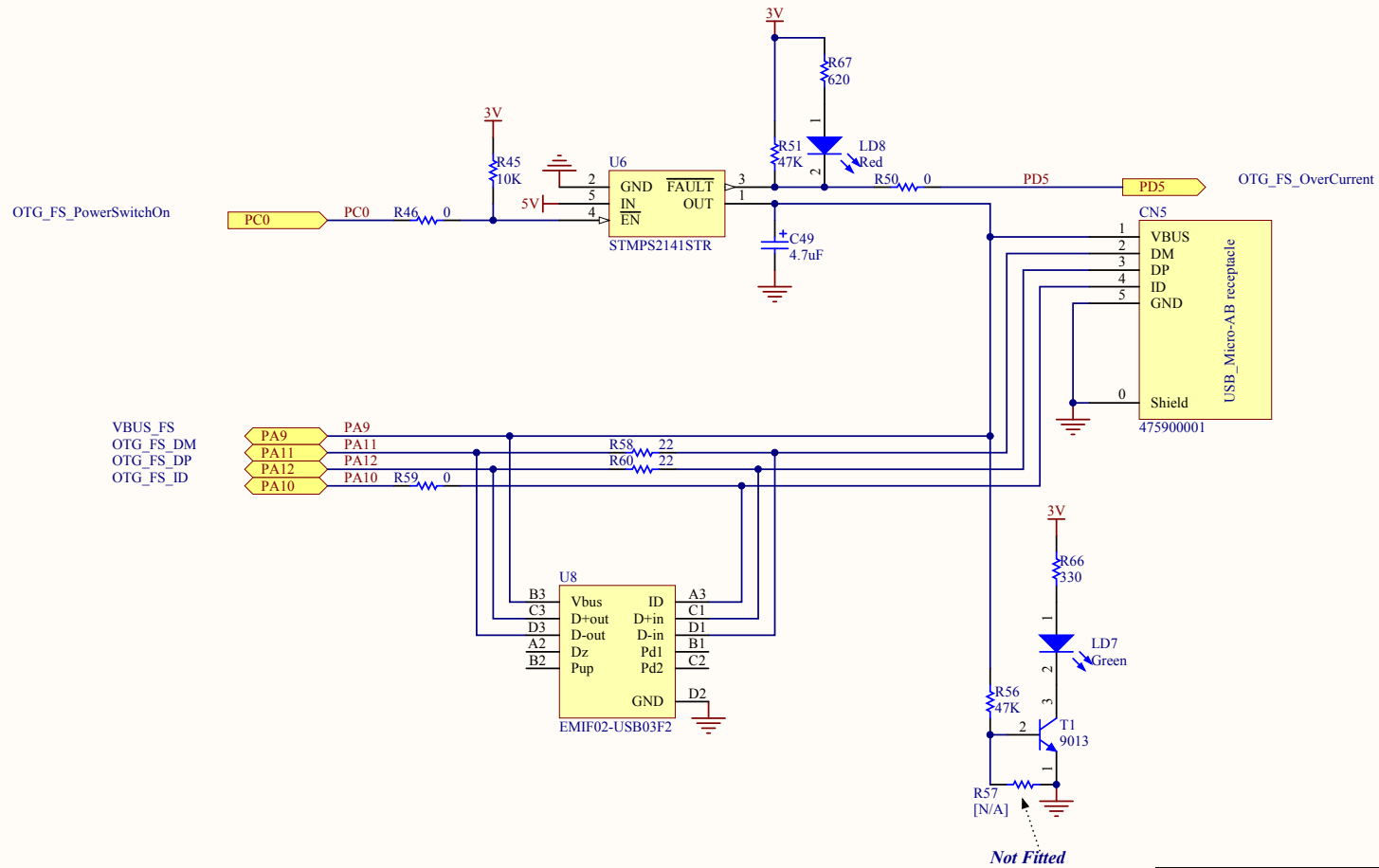
Number **MB997** | Rev: B.2(PCB.SCH) | Date: 1/9/2012 | Sheet **3** of **6**



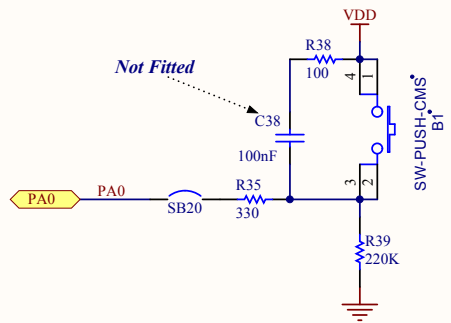
**STMicroelectronics**

Title: **STM32F4DISCOVERY Audio**

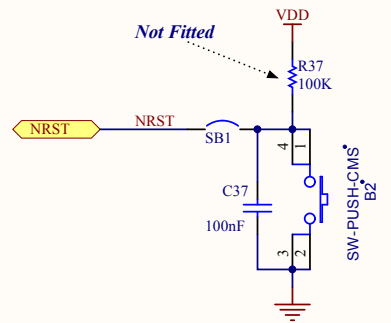
Number **MB997** | Rev: B.2(PCB.SCH) | Date: 1/9/2012 | Sheet4 of 6



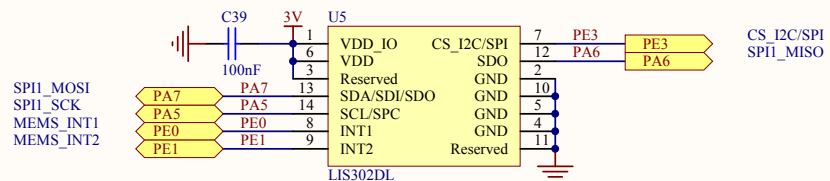
R57 [N/A]   
 Not Fitted



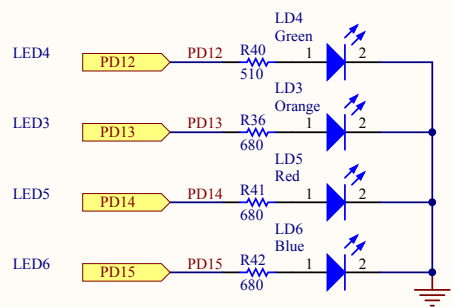
USER & WAKE-UP Button



RESET Button



MEMS



LEDs